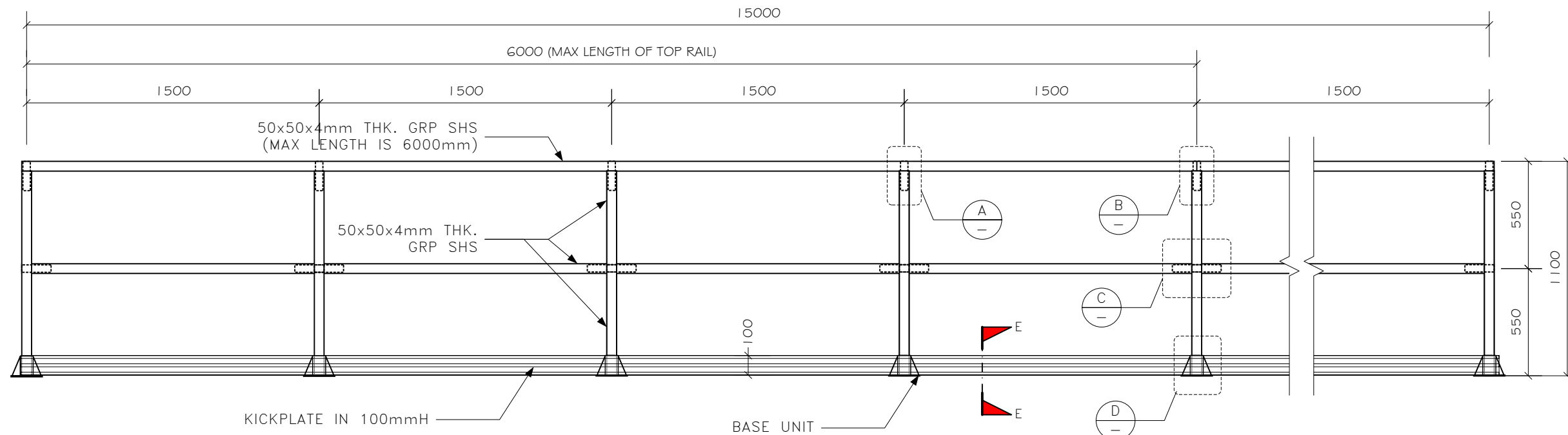


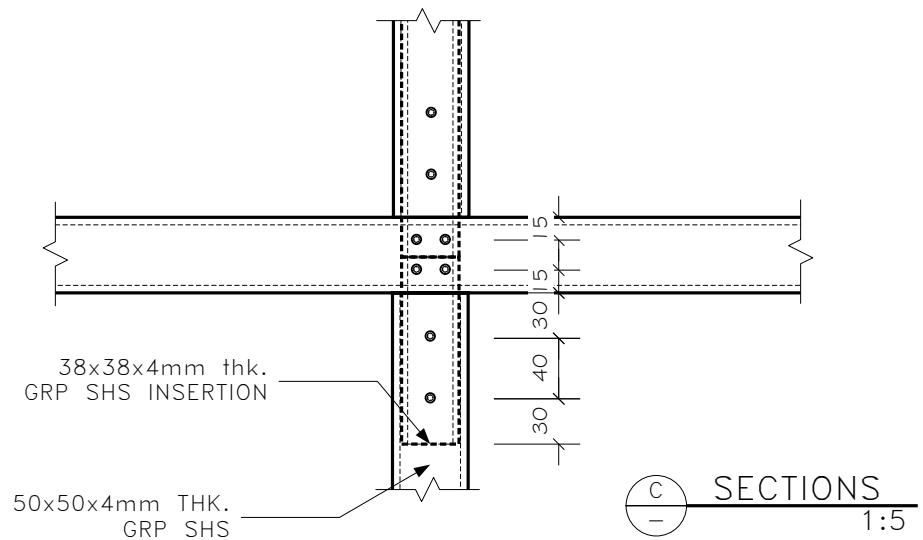
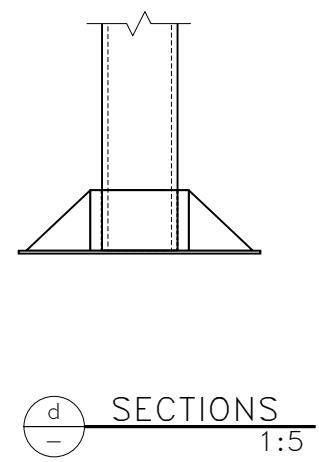
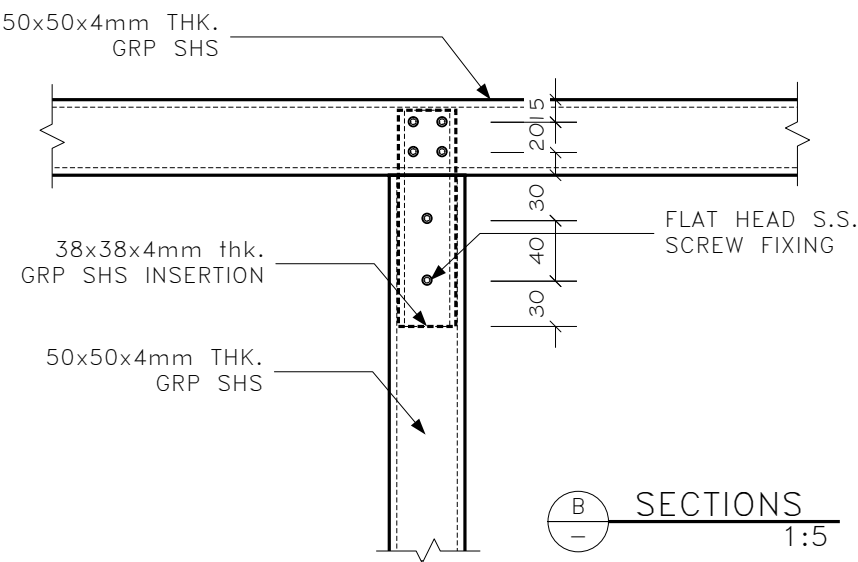
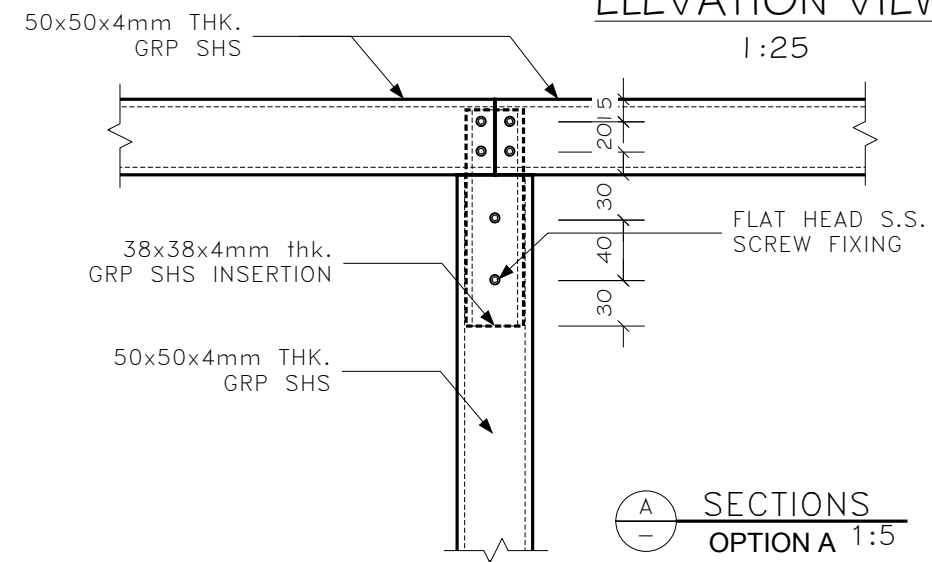
DuraRail™ SQUARE Handrail System

NOTE / LEGEND

FOR LOCATION PLAN, PLEASE REFER TO TB-P-xx DRAWINGS



ELEVATION VIEW



| | | | | | |
|--|--|--|--|--|--|
| | | | | | |
| | | | | | |
| | | | | | |
| | | | | | |
| | | | | | |
| | | | | | |
| | | | | | |
| | | | | | |
| | | | | | |
| | | | | | |

| | | | | | |
|-----|------------------|------|----|-----|-----|
| 0 | FIRST SUBMISSION | | MY | KK | HY |
| REV | DESCRIPTION | DATE | DD | CHK | APP |

OWNER

ARCHITECT

E&M CONSULTANTS

HONG KONG AUTHORIZED DEALER
 TEL : (852) 2893 8865 FAX : (852) 2893 6321
 www.dura1.com

GRP SUB-CONTRACTOR

DuraRail™
Handrail System

PROJECT

TITLE

G.R.P. HANDRAIL - INSTALLATION DETAILS

| | | | | |
|----------|-----|-------------|------------|------|
| DRAWN | KK | SCALE | AS SHOWN | DATE |
| DESIGN | MY | DRAWING NO. | PROJ. REF. | REV |
| CHECK | HY | | A.325.2 | 0 |
| APPROVED | SWY | TB-A-01 | | |

A3