

## MECHANICAL AND PHYSICAL DATA OF DURAGRAT<sup>®</sup> GRATING SYSTEM

Model	Grating Depth	Bar thickness		Per 300mm of Width				No. of bars per 300mm	Glass Content %	Weight kg/m <sup>2</sup>	Open Area %
		TOP	BOTTOM	cm <sup>2</sup>	cm <sup>4</sup>	cm <sup>3</sup>	EI kg/m <sup>2</sup>				
G-25A	25mm	6.60	5.00	12.39	6.71	5.24	119	8	50	12	69
G-30A	30mm	6.60	5.00	14.87	8.10	6.32	145	8	50	14.5	69
G-30B	30mm	6.60	4.00	16.85	10.25	7.95	168	16	50	16.5	42
G-38A	38mm	6.60	5.00	17.74	21.81	11.31	275	8	50	18	69
G-38B	38mm	6.60	4.00	19.56	23.22	13.32	325	16	50	19.8	42
G-50A	50mm	6.60	5.00	23.35	45.25	16.25	356	8	50	23.7	69
G-63A	63mm	6.60	5.00	38.25	53.25	18.52	385	8	50	29.8	69

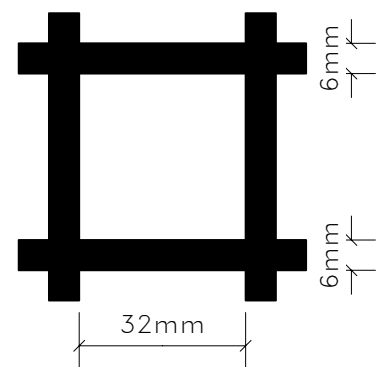
25mm : 12 kg / m<sup>2</sup>

38mm : 18 kg / m<sup>2</sup>

Tensile Strength	171 Mpa
Elongation	1.8%
Tensile Modulus	12600 N/mm <sup>2</sup>
Compressive Strength	102 N/mm <sup>2</sup>
Flexural Strength	250 N/mm <sup>2</sup>
Flexural Modulus	12810 N/mm <sup>2</sup>
Interlaminar Shear Strength	18.5 N/mm <sup>2</sup>
Dielectric Strength	18 kN/mm
Specific Gravity	1.5-1.7
Thermal Expansion Factor	13 x 10 <sup>-6</sup> mm/mm°C
Water Absorption	0.1% + 0.3% x 24 hours (ISO R62)
Operating Temperature	- 100°C to +180°C

Standard Panel Size	+3mm	-0mm
Cut Panel Size	+5mm	-5mm
Thickness	+1.5mm	-1mm
Mesh Pattern	+1mm	-1mm

normal-mesh



Mini-mesh

